



LINEMAN : ALM-QLF063A-DC0/1

PRELIMINARY

Ayase LINEMAN™ Features:

- High uniformity/repeatability
- Fine pointing stability
- Very small package
- OEM Customization available

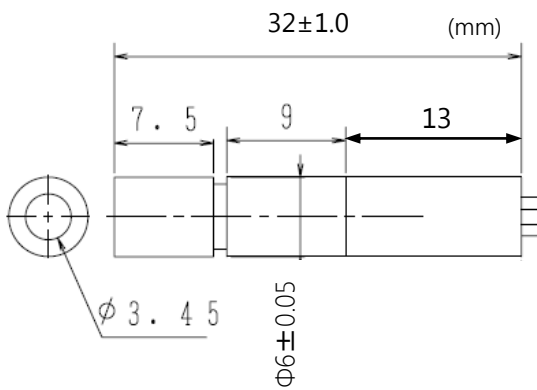


	ALM-QLF063A-DC0	ALM-QLF063A-DC1
Fan angle	30deg.	30deg.
Wavelength	660nm	660nm
Output power	~5mW	5~70mW
Focal point	300mm	300mm
Line width at 300mm	100μm(1/e ²)	100μm(1/e ²)
The depth of field	Around ± 12mm	Around ± 12mm
Line uniformity	±5%	±5%
Pointing error	<3mrad	<3mrad
Pointing stability	<15μrad/°C	<15μrad/°C
Operating Voltage (Vcc)	3.0 to 5.5V	3.0 to 5.5V
Operating Current	<70mA	<160mA
Operating Temperature	-10°C to 60°C	-10°C to 60°C
Storage Temperature	-40°C to 85°C	-40°C to 85°C
Housing diameter	6mmφ	18mmφ

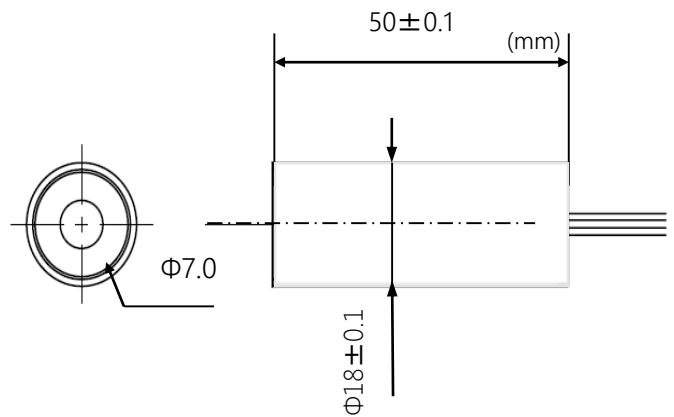


LINEMAN : ALM-QLF063A-DC0/1

PRELIMINARY



ALM-QLF063A-DC0



ALM-QLF063A-DC1

Typical example of line intensity distribution data

