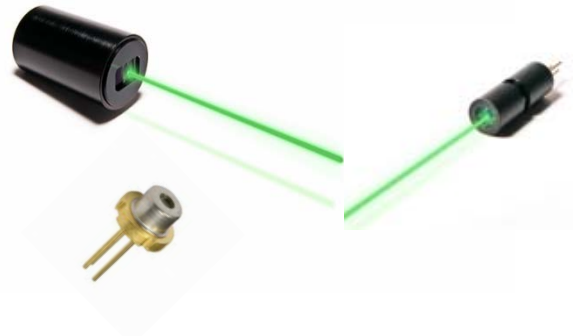


Direct Green : AGLD-LD8231VL-C00/01

PRELIMINARY

Ayase Direct Green Features:

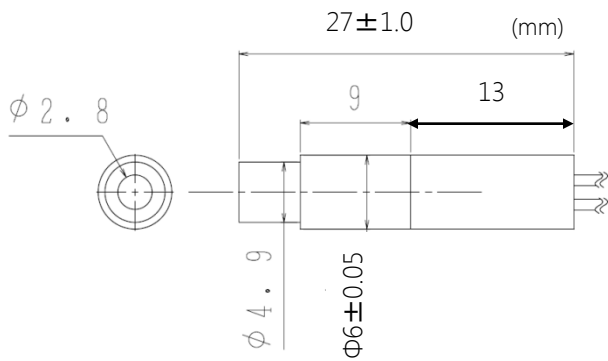
- True-Green diode 530nm
- Laser diode with photo diode
- Wide Operating Temperature
- Circular Beam
- OEM Customization available



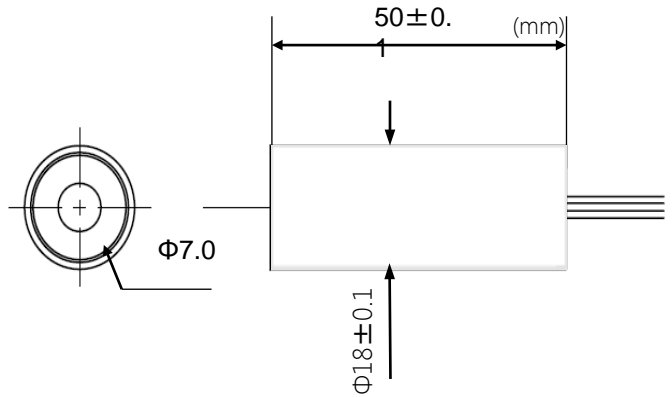
	AGLD-LD8231VL-C00	AGLD-LD8231VL-C01
Wavelength	530nm	530nm
Output power	1 – 5.0mW	1-20mW
Operating Voltage (Vcc)	7.0 to 9.0V	7.0 to 9.0V
Operating Current	110mA	150mA
Power Stability	±15%	±15%
Operating Temperature	-20°C to 50°C	-20°C to 50°C
Storage Temperature	-40°C to 85°C	-40°C to 85°C
Photodiode	Yes	Yes
Housing diameter	6mmφ	18mmφ
Modulation	N/A	TTL ~2Mhz

Direct Green : AGLD-LD8231VL-C00/01

PRELIMINARY



AGLD-LD8231VL-C00



AGLD-LD8231VL-C01

Human Eye Sensitivity to Color

